



Item Description

Mounting Type- Track
Housing- Aluminum
Diffuser- PC (Optional)
Life Span- > 50,000 Hrs (Ta = 30°C LM70)
Option- Non Dimmable / Dimmable DALI / 0~ 10V/ Triac
Standards- EN60598-1 / EN60595-2-1

Objective

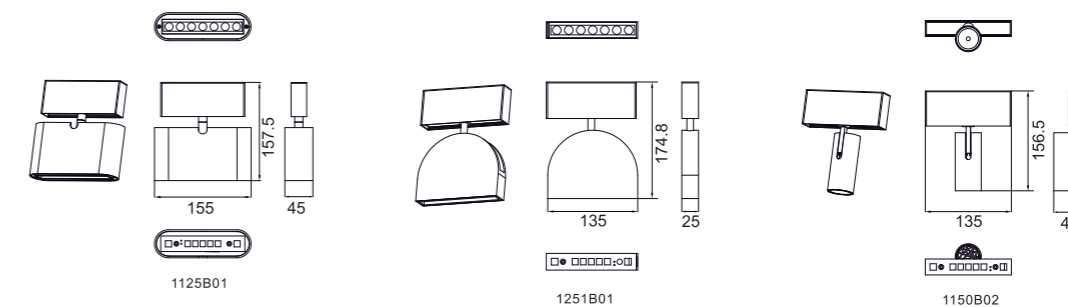
Fotistikó kopís me perívlíma apó aloumínio pou échei fakó kai diachýti LED. O schediasmós kyklómatos chamiílís tásis kai o exotetikós odigós to kathistoún polý asfalés. Kataskevsméno me magnitikó sýstima, to fos boreí na eisachtheí éfkola stin trochiá.

Rythmizómenei kai peristrefómenei domí káneí to fos pio evélikto kai exanthropisméno. O fakós LED kathistá to fos pio estiasméno (proairetikós fakós LED) katállilo gia fotismó me émfasi. Ómorfo, diakosmitikó, sýnchrono, eniaío schímatos fotistikó katállilo gia diakosmitikés enkatástaseis. Steréosi me métrio fotismó.

Track light with aluminum housing having lens and LED diffuser. Low voltage circuit design and external driver makes it be very safe. Built with magnetic system, the light can be inserted into track easily.

Adjustable and rotatable structure makes the light be more flexible and humanized. LED lens makes the light be more focused (optional LED lens) suitable for accent lighting. Beautiful, decorative, contemporary, unique shaped fixture suitable for decorative installations. Fixture with moderate illumination.

CODE	WATTAGE	LUMENS	CRI	DIMENSIONS
MAGNET SPOT RECT	9W	600lm	High	155x157.5x45mm
MAGNET SPOT CURVE	9W	600lm	High	135x174.8x25mm
MAGNET SPOT FOCUS	4W	450lm	High	135x156.5x49mm



Optic Lens

