



**Item Description**

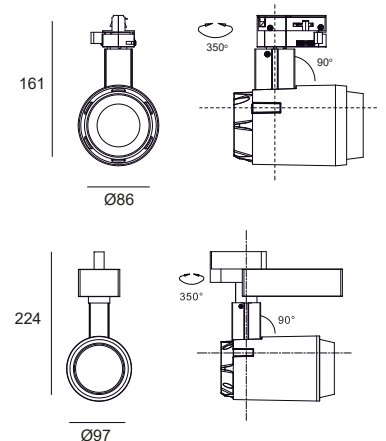
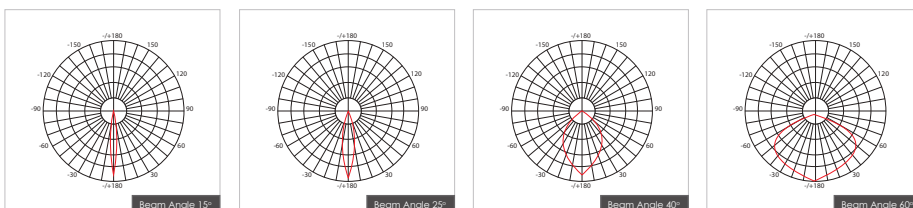
- Mounting Type-** Track Mounting
- Housing-** Die-cast Aluminum
- Diffuser-** Frosted/Clear
- Reflector-** Aluminum
- Life Span-** > 50,000 Hrs (Ta = 30°C LM70)
- Driver-** DC350mA | DC700mA | DC1000mA
- Option-** Non-Dimmable / Dimmable DALI / 0~ 10V/ Triac
- Standards-** EN60598-1 / EN60595-2-1

**Objective**

Simple and elegant designed LED track light with aluminum die-cast housing, with multiple reflecting angles, specially designed heat sink with excellent dissipation to minimize degradation of lumens.

It is suitable for fashion stores, chain stores, shopping malls, and art galleries.

CODE	WATTAGE	LUMEN	CRI	KELVINS	DIMENSIONS
FOUBLON-15	15W	1170/1320/1470lm	90/80/70	3000/4000/5000K	86x161mm
FOUBLON-30	30W	2340/2645/2943lm	90/80/70	3000/4000/5000K	97x224mm
FOUBLON-42	42W	3360/3696lm/4116lm	90/80/70	3000/4000/5000K	97x229mm



**Colours**

01 02 03

01. White 02. Black 03. Silk White