



Item Description

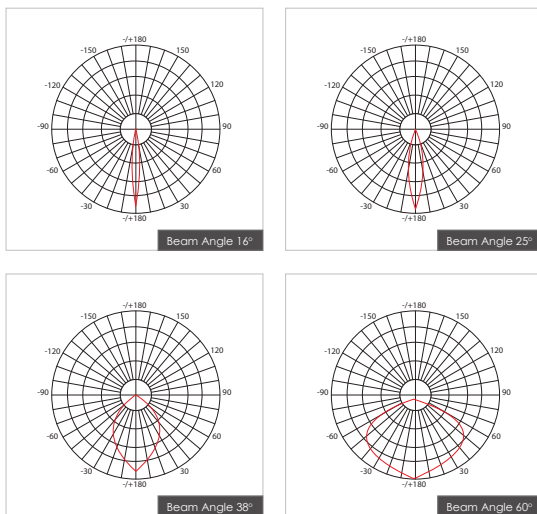
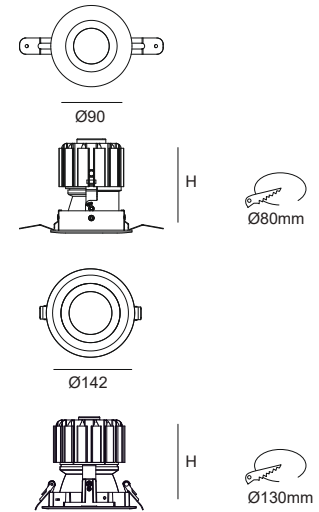
- Mounting Type-** Recessed
- Housing-** Pure Aluminum Heat Sink
- Diffuser-** Frosted / Clear
- Reflector-** Anodized Reflector
- Life Span-** > 50,000 Hrs (Ta = 30°C LM70)
- Driver-** DC200mA | DC350mA | DC500mA
- Option-** Non Dimmable / Dimmable DALI / 0~ 10V/ Triac
- Standards-** EN60598-1 / EN60595-2-1

Objective

FLAX FIXED-09-15-20-30-42 are simple recessed fixed hotel downlights with white powder coated anti-glare die-cast housing, high thermal conductive heat sink, and energy efficient electronic driver, the Different shape of housing can be chosen in the different application.

These are suitable for living rooms, corridors, shops, shopping malls, hotels and restaurants.

CODE	WATTAGE	LUMENS	CRI	KELVINS	DIMENSIONS
FLAX FIXED-09	09W	702/792/882lm	90/80/70	3000K/4000K/5000K	Φ90x104mm
FLAX FIXED-15	15W	1170/1320/1425lm	90/80/70	3000K/4000K/5000K	Φ90x116mm
FLAX FIXED-20	20W	1418/1585/1764lm	90/80/70	3000K/4000K/5000K	Φ142x139mm
FLAX FIXED-30	30W	2130/2370/2640lm	90/80/70	3000K/4000K/5000K	Φ142x154mm
FLAX FIXED-42	42W	2982/3318/3696lm	90/80/70	3000K/4000K/5000K	Φ142x179mm



Mat Finish

Shiny Finish

Glass Options

1. Clear PC 2. Frosted PC

Colours

01. White 02. Black 03. Silk White