



Drivers **bluelunar** **TCI** **Helvar**



Item Description

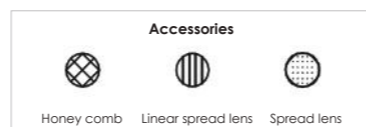
- Mounting Type-** Recessed
- Housing-** Aluminum
- Diffuser-** Clear/Frosted
- Reflector-** Aluminum / Color Options
- Life Span-** 35000 - 50000Hrs
- Option-** On/Off / Triac dimming / 1-10V dimming / Dali dimming
- Standards-** EN60598-1 / EN60595-2-1

Objective

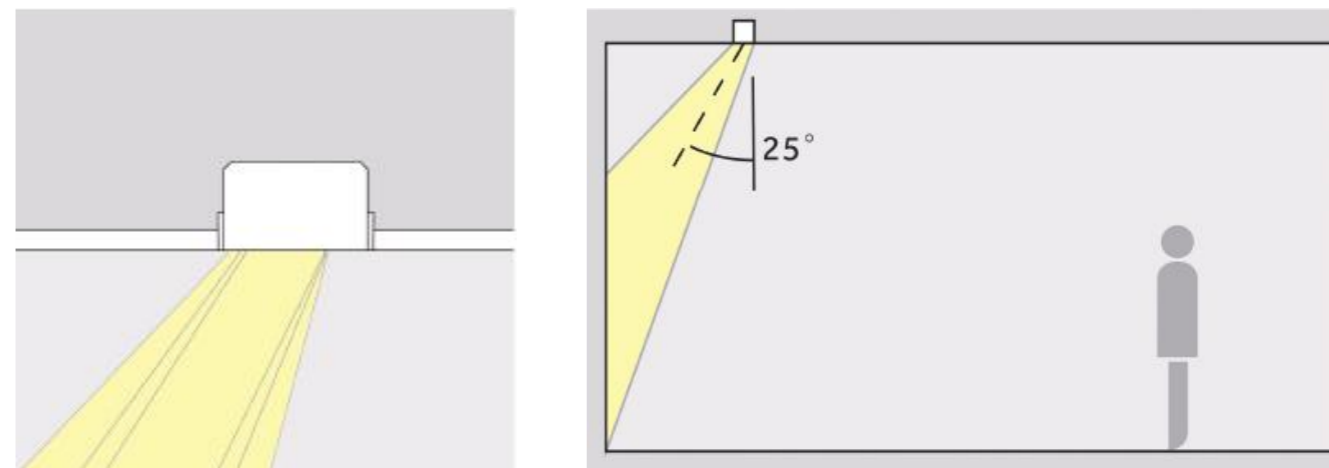
Deep anti-glare architectural lighting, the most important characteristic is the invisible light source with an excellent illuminance. According to architectural design, it enables many combinations, achieving an important architectural lighting media for efficient visual comfort.

Widely used in Retails, Residentials, and Hotels.

CODE	WATTAGE	LUMENS	CRI	KELVINS	DIMENSIONS
ECO MOVEABLE-07	7W	210-350lm	>90	3000K	Φ87x99mm Φ125x99mm
ECO MOVEABLE-10	10W	300-500lm	>90	3000K	Φ87x99mm Φ125x99mm
ECO MOVEABLE-15	15W	825-1050lm	>90	3000K	Φ87x99mm Φ125x99mm



Accentuation



ECO MOVEABLE