



Item Description

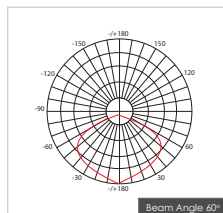
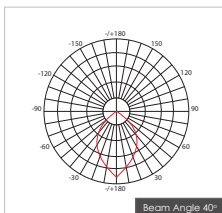
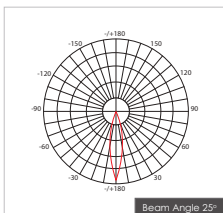
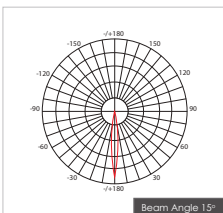
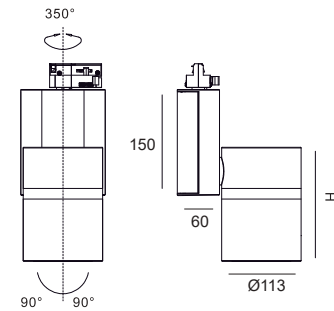
- Mounting Type-** Ceiling Track
- Housing-** Die-cast Aluminum
- Diffuser-** Frosted / Clear
- Reflector-** Aluminum
- Life Span-** > 50,000 Hrs (Ta = 30°C LM70)
- Driver-** DC1000mA
- Option-** Non Dimmable / Dimmable DALI / 0~ 10V/ Triac
- Standards-** EN60598-1 / EN60595-2-1

Objective

Simple and elegant designed LED track light with aluminum die-cast housing, with multiple reflecting angles, specially designed heat sink with excellent dissipation to minimize degradation of lumens.

It is suitable for fashion stores, chain stores, shopping malls, and art galleries.

CODE	WATTAGE	LUMENS	CRI	KELVINS	DIMENSIONS
FOTON-30	30W	2400/2640/2940lm	90/80/70	3000K/4000K/5000K	113x152mm
FOTON-35	35W	2800/3080/3430lm	90/80/70	3000K/4000K/5000K	113x142mm
FOTON-42	42W	3360/3696/4116lm	90/80/70	3000K/4000K/5000K	113x167mm



Colours

01 02 03

01. White 02. Black 03. Silk White